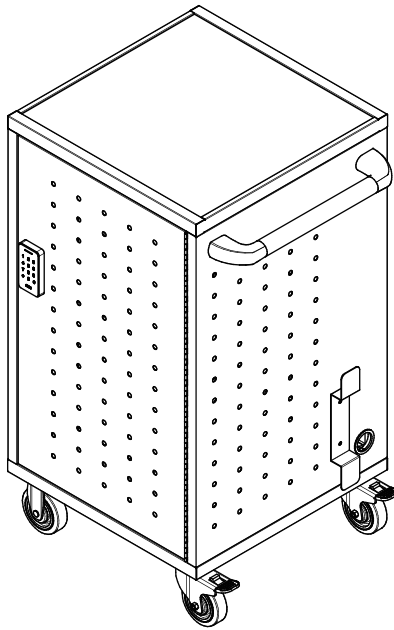




Black Laptop Charging Cart with Keypad Lock Instruction Manual



SKU: CART-LAPC1



Scan the QR code with your mobile device or follow the link for helpful videos and specifications related to this product.

<https://vivo-us.com/products/cart-lapc1>

GET IN TOUCH | Monday-Friday from 7:00am-7:00pm CST



help@vivo-us.com



www.vivo-us.com
Chat live with an agent!



309-278-5303

⚠️ WARNING!

If you do not understand these directions, or if you have any doubts about the safety of the installation, please call a qualified technician. Check carefully to make sure there are no missing or defective parts. Improper installation may cause damage or serious injury. Do not use this product for any purpose that is not explicitly specified in this manual. Do not exceed weight capacity. We cannot be liable for damage or injury caused by improper mounting, incorrect assembly or inappropriate use.

⚠️ TIPOVER WARNING

SERIOUS OR FATAL CRUSHING INJURIES CAN OCCUR FROM TIPOVER. TO HELP PREVENT TIPOVER:

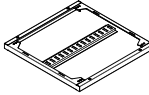
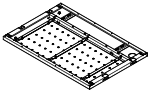
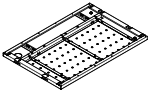
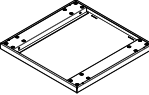
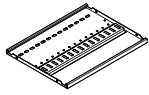
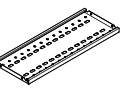
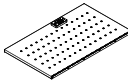
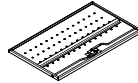
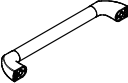

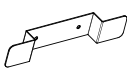



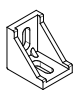
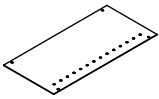

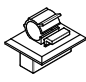
- NEVER ALLOW CHILDREN TO CLIMB, STAND, HANG, OR PLAY ON ANY PART OF CART.
- USE TIPOVER RESTRAINT OR ANCHOR CART TO WALL


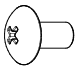
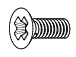
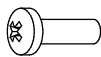
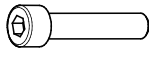





USE OF TIPOVER RESTRAINTS MAY ONLY REDUCE, BUT NOT ELIMINATE RISK OF TIPOVER.

⚠️ WARNING: CHOKING HAZARD

SMALL PARTS - NOT FOR CHILDREN UNDER 3 YEARS. ADULT SUPERVISION IS REQUIRED.

PACKAGE CONTENTS

					
A (x1) Top Panel	B (x1) Left Side Panel	C (x1) Right Side Panel	D (x1) Bottom Panel	E (x3) Shelf	F (x2) Baffle
					
G (x1) Front Door	H (x1) Back Door	I (x1) Handle	J (x4) Power Strip	K (x2) Cable Storage Hook	L (x2) Caster
					
M (x2) Locking Caster	N (x8) Power Strip Bracket	O (x8) Corner Bracket	P (x2) Rubber Mat	Q (x28) Laptop Divider	R (x30) Cable Management Clip

				
S-A (x12) ST4x10mm Screw	S-B (x40) M6x12mm Screw	S-C (x16) M4x10mm Screw	S-D (x16) M8x16mm Screw	S-E (x2) M8x40mm Screw
				
S-F (x16) M8 Washer	S-G (x16) M8 Lock Washer	S-H (x2) Black M8 Washer	S-I (x56) M5 Nut	S-J (x8) Rubber Mat Clip

NOTE: Extras of some hardware included.

TOOLS NEEDED

		
Phillips Screwdriver	6mm Allen Wrench	8mm Socket Wrench

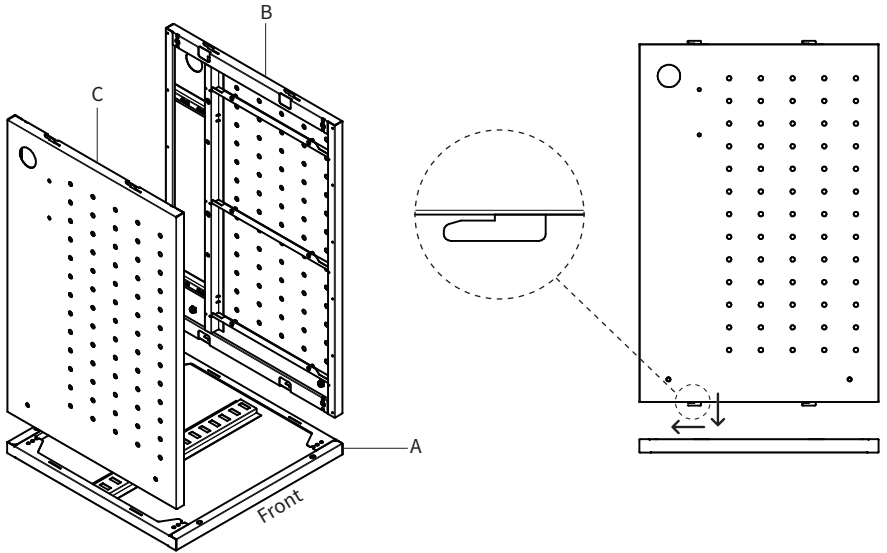
DO NOT EXCEED WEIGHT CAPACITY.
Failure to do so may result in serious injury.



ASSEMBLY STEPS

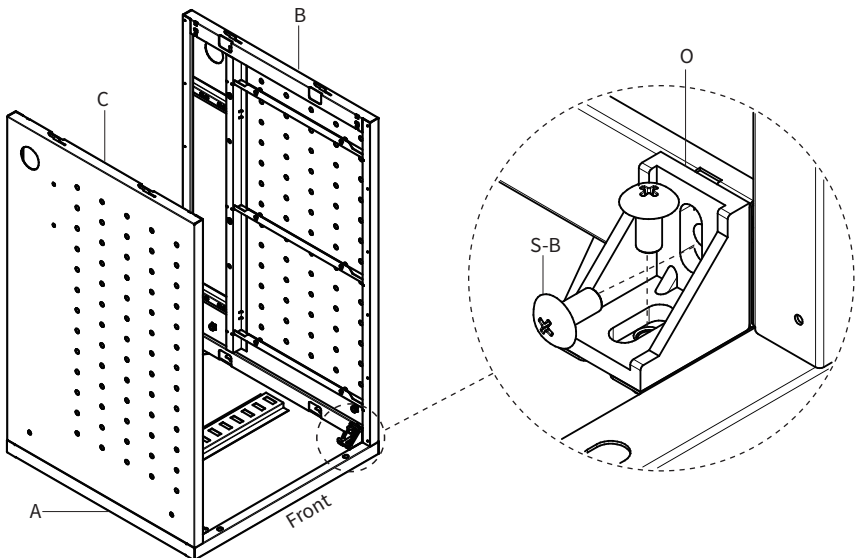
STEP 1

Place Top Panel (A) upside down and assemble Left Side Panel (B) and Right Side Panel (C) by inserting the tabs into the slots on the underside of Top Panel (A), then slide them back to secure them in place.



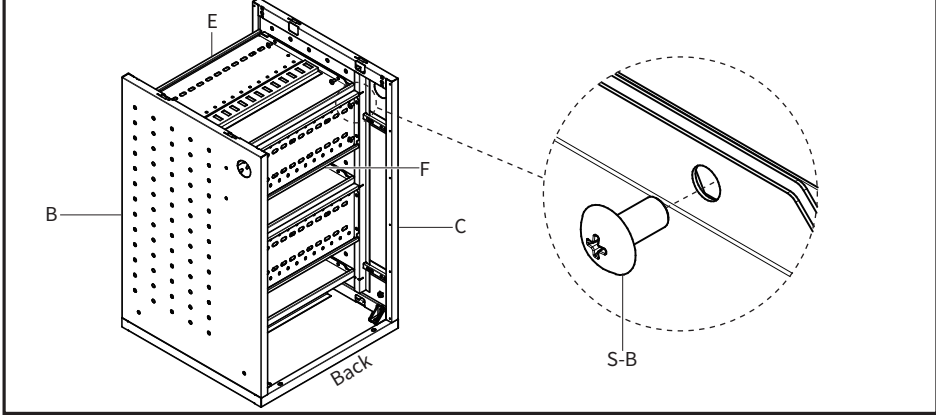
STEP 2

Install Corner Brackets (O) to Left Side Panel (B), Right Side Panel (C), and Top Panel (A) using M6x12mm Screws (S-B) and a Phillips screwdriver.



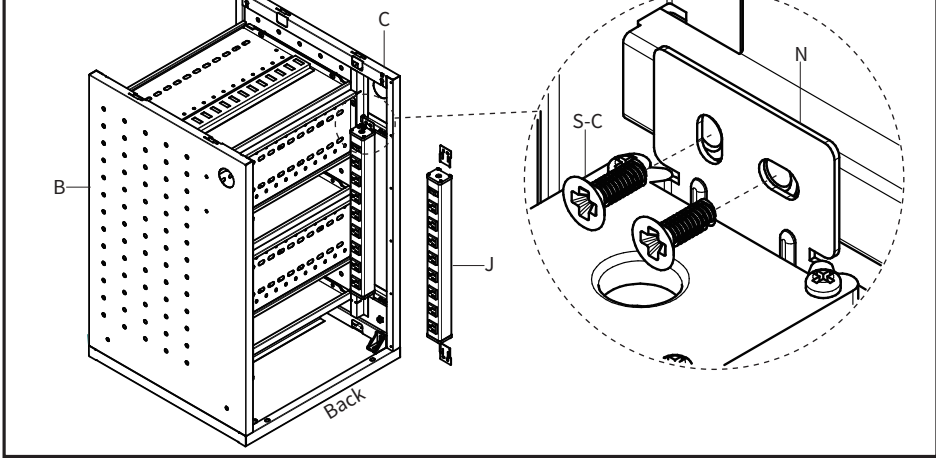
STEP 3

Assemble Shelves (E) and Baffles (F) to Left Side Panel (B) and Right Side Panel (C) using M6x12mm Screws (S-B) and a Phillips screwdriver.



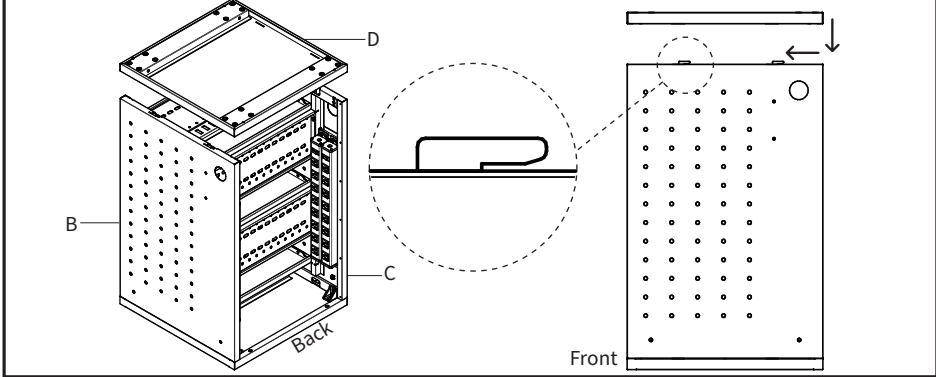
STEP 4

Slide Power Strip Brackets (N) into the top and bottom of Power Strips (J). Mount Power Strip Brackets (N) to Left Side Panel (B) and Right Side Panel (C) using M4x10mm Screws (S-C) and a Phillips screwdriver.



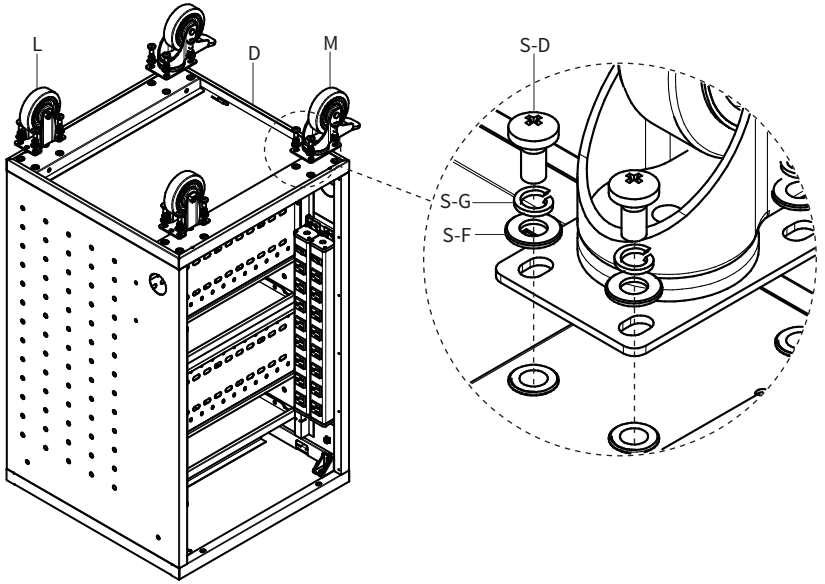
STEP 5

Assemble Bottom Panel (D) to Left Side Panel (B) and Right Side Panel (C) by inserting the tabs in side panels into the slots on the top of Bottom Panel (D), then slide it forward to secure it in place.



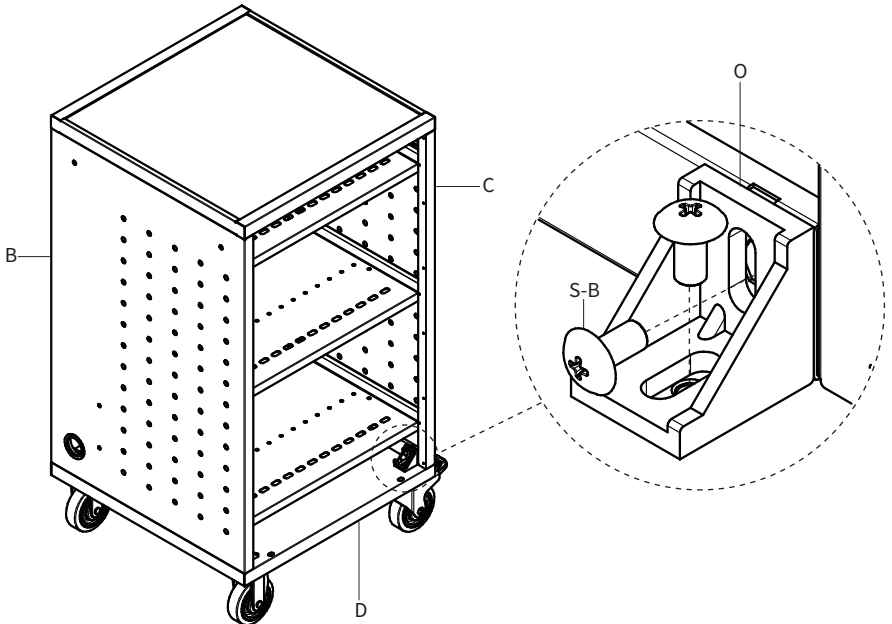
STEP 6

Secure Casters (**L**) and Locking Casters (**M**) to Bottom Panel (**D**) using M8x16mm Screws (**S-D**) with M8 Lock Washers (**S-G**) and M8 Washers (**S-F**). Tighten with a Phillips screwdriver.



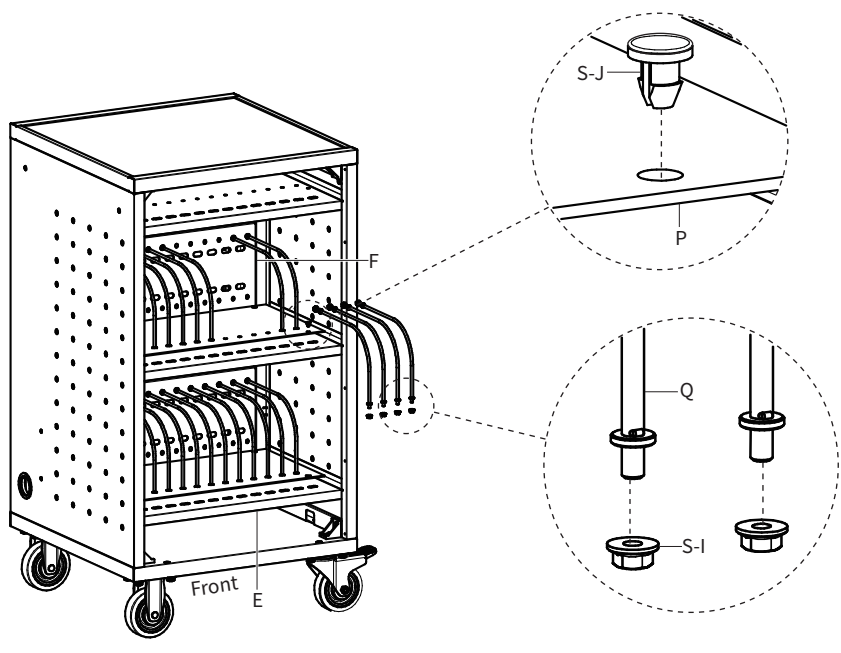
STEP 7

Install Corner Brackets (**O**) to Left Side Panel (**B**), Right Side Panel (**C**), and Bottom Panel (**D**) using M6x12mm Screws (**S-B**) and a Phillips screwdriver.



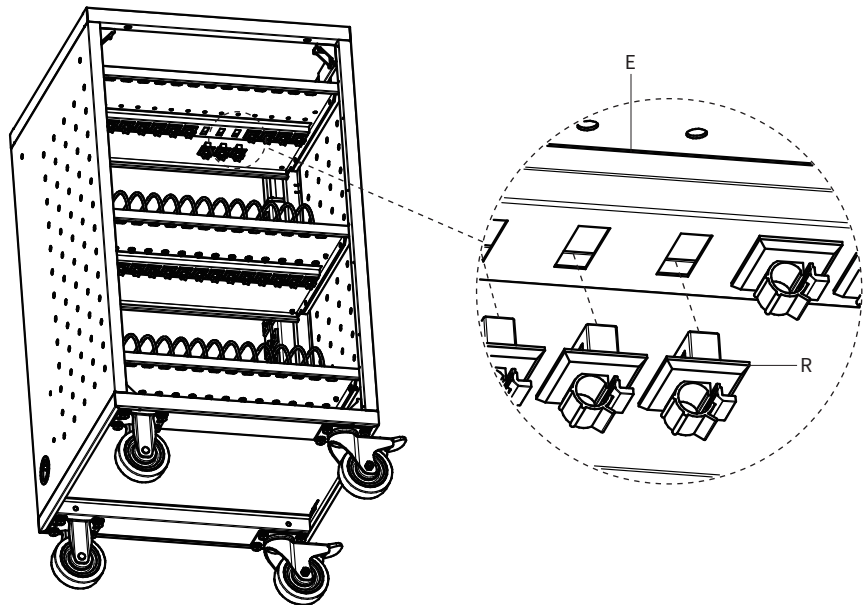
STEP 8

Secure Rubber Mats (P) to middle and bottom Shelves (E) using Rubber Mat Clips (S-J). Thread M5 Nuts (S-I) onto Laptop Dividers (Q). Secure Laptop Dividers (Q) into bottom Shelves (E) and Baffles (F) using an 8mm socket wrench.



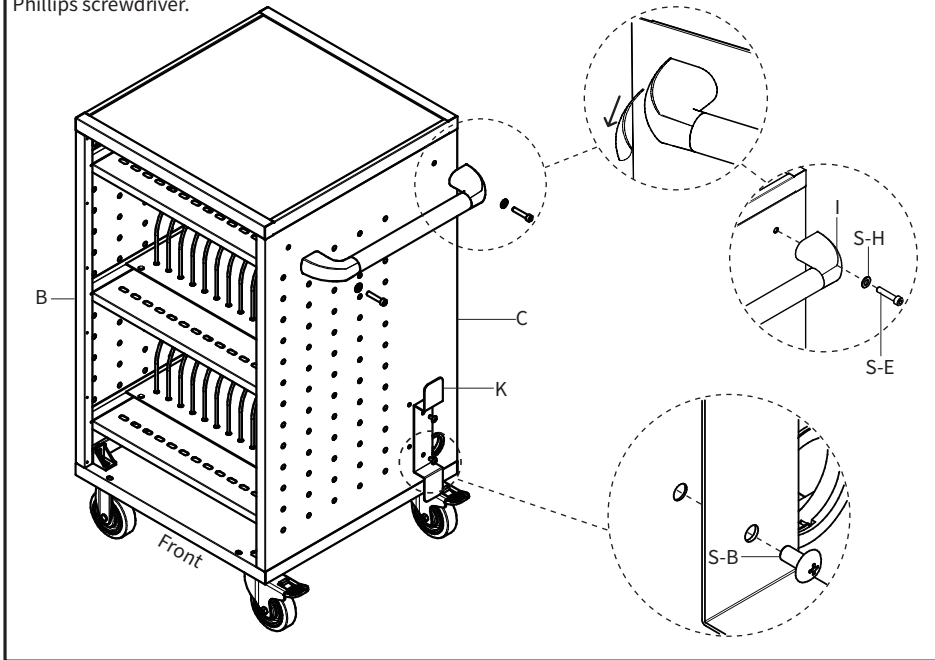
STEP 9

Insert Cable Management Clips (R) into the underside of top and middle Shelves (E).



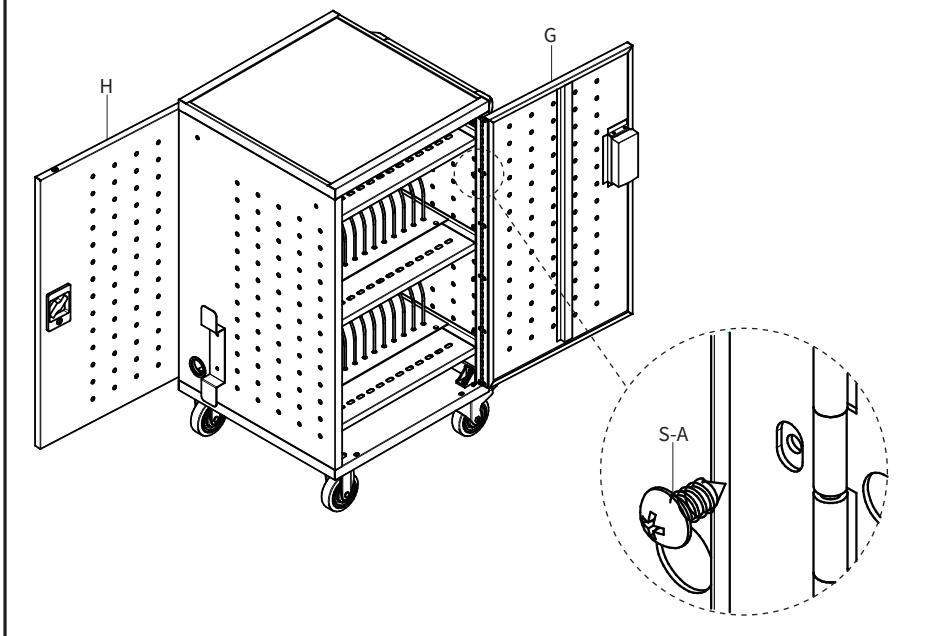
STEP 10

Slide the plastic covers off of Handle (I) and secure to either Right Side Panel (C) or Left Side Panel (B) using M8x40mm Screws (S-E) with Black M8 Washers (S-H) and a 6mm Allen Wrench. Assemble Cable Storage Hooks (K) to Left Side Panel (B) and Right Side Panel (C) using M6x12mm Screws (S-B) and a Phillips screwdriver.



STEP 11

Install Front Door (G) and Back Door (H) to the assembly using ST4x10mm Screws (S-A) and a Phillips screwdriver.





Open **Monday - Friday 7:00am - 7:00pm** CST,
our dedicated support team can offer immediate assistance with rapid response times. If any parts are received damaged or defective, please contact us. We are happy to replace parts to ensure you have a fully functioning product.



309-278-5303

AVG. RESOLUTION TIME (*within office hrs*): **5M 4S**



www.vivo-us.com
Chat live with an agent!

AVG. RESOLUTION TIME (*within office hrs*): **< 15 M**



help@vivo-us.com

AVG. RESPONSE TIME (*within office hrs*): **1HR 8M**

- 23% within < 15m
- 38% within < 30m
- 61% within < 1hr
- 83% within < 2hr
- 92% within < 3hr